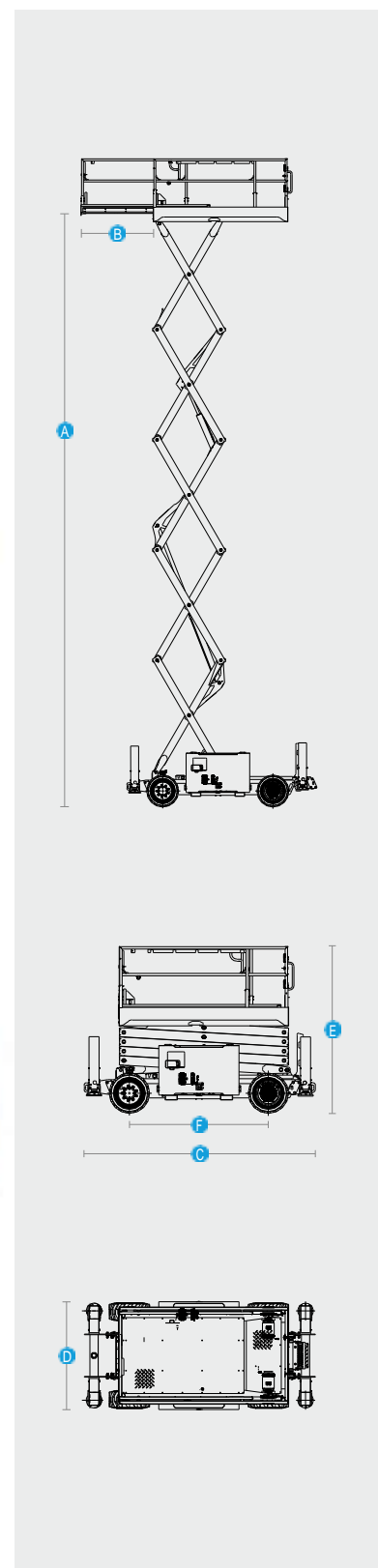


SINOBOOM1018RD(3369RD)

Model		1018RD(3369RD)	
Dimensions		Metric	US
Max Working Height		12m	394"
A Max Platform Height		10m	32'10"
B Max Horizontal Extension		1.5m	4'11"
C Length-Stowed (Outriggers/Without Outriggers)		3.77m/3.29m	12'4"/10'9.5"
D Width - Stowed		1.76m	5'9"
Height-stowed	Rail Folded	1.94m	6'4"
	E Rail Unfolded	2.56m	8'5"
F Wheelbase		2.28m	7'6"
Ground Clearance		0.22m	9"
Platform Dimensions(LxWxH)		2.8m x 1.6m x 1.1m (9'2" x 5'3" x 3'7")	
Performance			
Platform Allowable Occupants(Indoor)		4 persons	
Platform Allowable Occupants(Outdoor)		2 persons	
Platform Capacity		450kg	992lbs
Drive Speed-Stowed		5.6km/h	3.5mph
Drive Speed-Raised		0.48km/h	0.3mph
Elevation Time(Unloaded)		34s~44s	
Descent Time(Unloaded)		40s~45s	
Gradeability		35%	
Turning Radius(Inside/Outside)		2.11m/4.6m	6'11"/15'1"
Tilt Rating(Front to Back)		3°	
Tilt Rating (Side to Side, Outrigger Tele-In/Tele-Out)		2°/0.8°	
Max Outrigger Leveling(Front to Back)		5.3°(front)/4.2°(back)	
Max Outrigger Leveling(Side to Side)		11.7°	
Tyres-solid		26x12-16.5	
Power			
Power Source		Kubota D1105-E4B-EU-X1	
Drive Mode		4WDx2WS	
Fuel Tank Capacity-Diesel		48L	10.6gal
Hydraulic System Capacity		90L	19.8gal
Weight			
Weight(Outriggers/Without Outriggers)		4,110kg/ 3,650kg	9,061lbs/ 8,047lbs
Standards Compliance		ISO/CE/AS/CU-TR	



Standard features

- 4-wheel drive and 2-wheel steering
- Floating device
- Solid tyres
- Kubota engine
- DTC system
- Outriggers
- Overload sensing system