

## Specifications

MODEL		GS™-5390 RT	
MEASUREMENTS		Metric	US
Working height		18.15 m	59 ft
<b>A</b>	Platform height maximum	16.15 m	53 ft
<b>B</b>	Platform height - stowed	2.02 m	6 ft 7.5 in
<b>C</b>	Platform length:		
	outside, extended - single deck	3.98 m	13 ft 0.5 in
	outside, extended - dual deck	5.34 m	17 ft 6.25 in
<b>D</b>	outside, extended - dual deck	6.57 m	21 ft 6.5 in
<b>E</b>	Slide-out platform extension deck - front	1.52 m	5 ft
<b>F</b>	Slide-out platform extension deck - rear	1.22 m	4 ft
<b>G</b>	Platform width - outside	1.83 m	6 ft
<b>H</b>	Height: stowed	3.15 m	10 ft 4 in
	stowed - rails lowered	2.47 m	8 ft 1.25 in
<b>I</b>	Length - stowed with outriggers	4.88 m	16 ft
	Length - extended - single deck	5.40 m	17 ft 8.5 in
	- dual deck	6.57 m	21 ft 6.5 in
<b>J</b>	Width: standard tyres	2.29 m	7 ft 6 in
	high flotation tyres	2.57 m	8 ft 5 in
<b>K</b>	Wheelbase	2.84 m	9 ft 4 in
<b>L</b>	Ground clearance - centre	0.36 m	1 ft 2 in

PRODUCTIVITY		
Maximum platform capacity	4	4
Lift capacity	680 kg	1,500 lbs
Lift capacity - extension deck	227 kg	500 lbs
Drive height	9.14 m	30 ft
Drive speed - stowed	8.0 km/h	5.0 mph
Drive speed - raised	1.1 km/h	0.7 mph
Gradeability - stowed	40%	40%
Maximum outrigger leveling: front to back	7°	7°
side to side	12°	12°
Turning radius - inside	2.16 m	7 ft 1 in
Turning radius - outside	5.33 m	17 ft 6 in
Controls	proportional	
Drive	four wheel	
Raise / lower speed	55 / 49 sec	55 / 49 sec
Tyres - non-marking foam-filled rough terrain	30 x 84 cm	12 x 33 in

POWER		
Power source	Deutz D2011L03i 3 cylinder diesel 36 kW (49 hp), air cooled	
Auxiliary power unit	12 V DC	
Fuel tank capacity	113.6 L	30 gal
Hydraulic system capacity	113.6 L	30 gal

WEIGHT		
with outriggers	8,274 kg	18,241 lbs

STANDARDS COMPLIANCE		
	ANSI A92.6, CSA B354.2, CE Compliance, AS 1418.10	

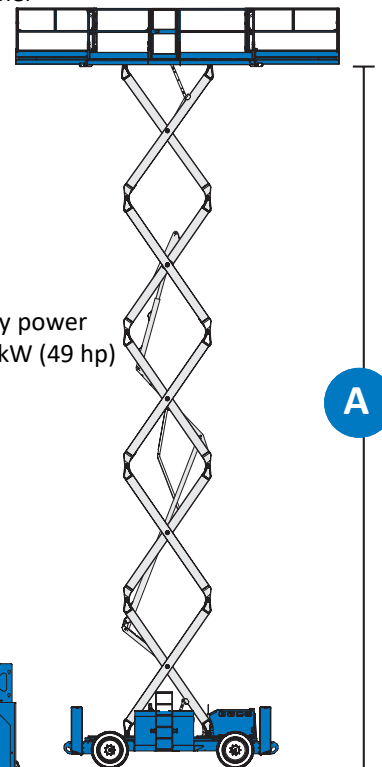
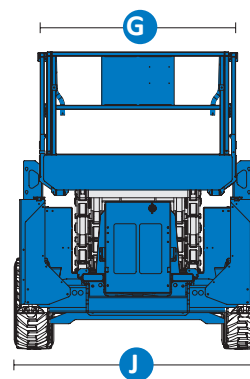
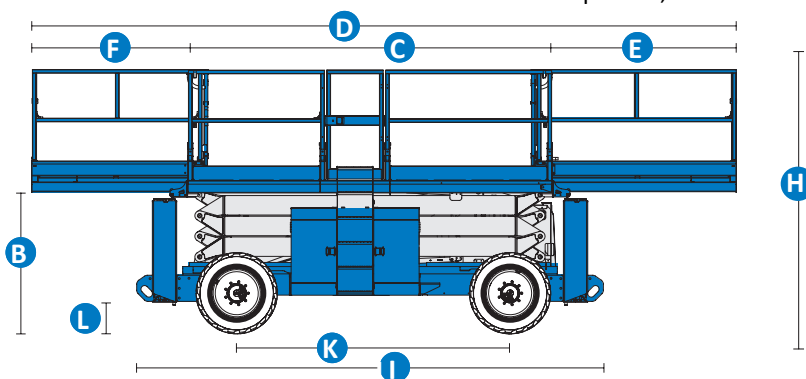


### STANDARD FEATURES

- Steel frame platform with replaceable diamond plate aluminium deck
- Automatic leveling hydraulic outriggers
- Non-marking foam-filled rough terrain tyres
- Proportional lift and drive
- Onboard diagnostic system
- Dual flashing beacons
- Two self-closing gates
- Positive traction control
- Four-wheel braking
- Slide-out engine tray
- Hydraulic oil cooler
- 4WD
- Oscillating axle
- Tilt alarm
- Descent alarm
- Horn
- Hour meter
- Motion alarm

### POWER

- 12 V DC auxiliary power
- Deutz diesel 36 kW (49 hp)



A