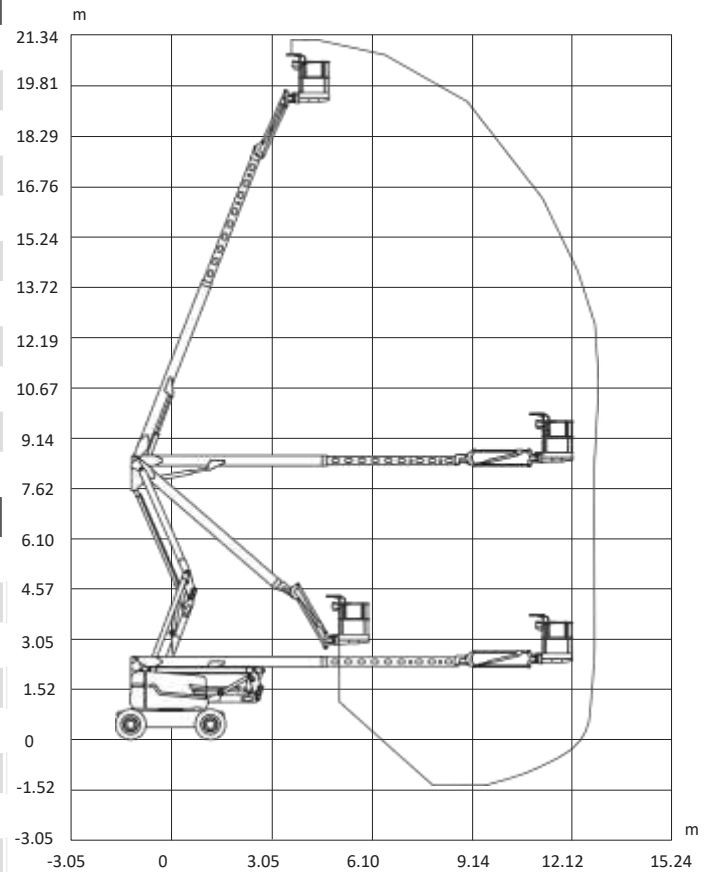


SJ63 AJ ARTICULATING BOOM

Dimensions	SJ63 AJ
Work Height	21.38 m
Platform Height	19.38 m
Horizontal Reach	12.19 m
Up and Over Height	8.38 m
A Platform Size	0.91 x 2.44 m
B Stowed Width	2.44 m
C Tailswing	Zero
D Stowed Height	2.54 m
E Stowed Length	9.14 m
F Wheelbase	2.44 m
G Ground Clearance	0.33 m

Specifications	SJ63 AJ
Rotation	360° Continuous
Platform Rotation	170°
Jib Length	1.68 m
Jib Range +/-	+65° / -60°
Weight*	9,934 kg
Gradeability	45%
Turning Radius (Inside)	2.21 m
Turning Radius (Outside)	5.31 m
Axle Oscillation	10.16 cm
Drive Speed (High speed)	7.3 km/h
Capacity	227 kg
Local Floor Load (With Rated Load)	8.09 kg/sq cm
Overall Floor Load (With Rated Load)	1224 kg/sq m
Maximum # of Persons	2
Tyre Type	Foam-filled NM
Tyre Size	10.5 x 17.5
Diesel Engine	Deutz D2011L04i - 65 HP (48 KW)
Fuel Tank Capacity	115 L
Hydraulic Reservoir	115 L



STANDARD FEATURES

- Axle based 4WD system
- Operator controlled locking rear differential and limited slip front differential
- Oscillating axle
- Drivable at full height
- Straight boom functionality
- 65 HP Deutz diesel engine
- Swing out engine tray
- Swing up cowlings
- Modular platform railing system
- Tri-entry sliding mid-rail
- Wiring for AC outlet to platform
- EasyDrive™ direction sensing drive and steer controls
- SpeedyReach™ functionality
- Proportional controls
- Relay based control system
- Colour coded and numbered wiring
- Overload sensing system
- 7.5 kW Generator (includes hydraulic oil cooler)
- Flashing light
- Axle based 4WD system
- All motion alarm
- Load sensing system
- Tie down/lifting lugs
- Wet disc SAHR brakes (front and rear axle)
- Secondary guarding electrical (SGE)

