

# 340AJ Articulating Boom Lift



## SPECIFICATIONS

### Performance:

Platform Height (max.)	10.33m
Working Height	12.33m
Platform Rotation Angle	180°
Jib Raise Angle	+84°
Jib Lower Angle	-60°
Jib Articulation Range	144°
Maximum Horizontal Outreach	6.07m
Up and Over Height	5.18m
Platform Capacity	230kg
Slewing Angle	355° Non-continuous

### Dimensions:

Stowed Length	5.52m (3.98m with jib stowed)
Stowed Height	2.0m (2.16m with jib stowed)
Overall Width	1.93m
Wheelbase	1.87m
Ground Clearance	0.237m
Platform Width	0.76m
Platform Length	1.52m
Overall Jib Length	1.22m
Tailswing	0.05m
Axle Oscillation	Standard

### Power:

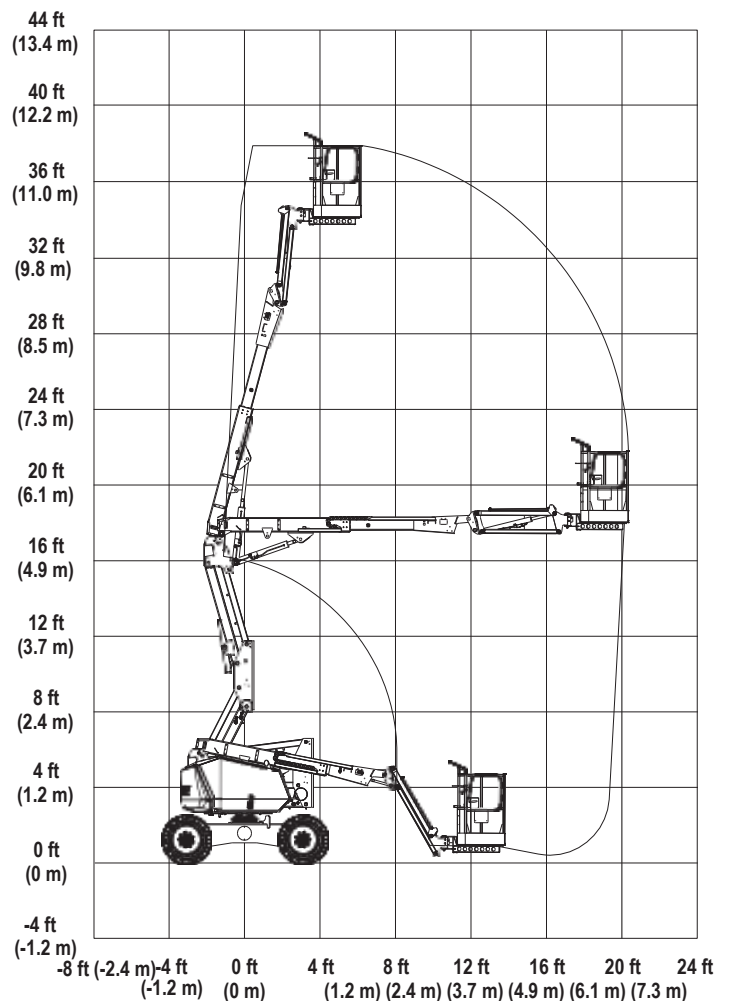
Power Source	Diesel
Engine Make	Kubota
Engine Model	D1105
Engine Power	17.8kW
System Voltage	12 V DC

### Travel:

Tyre Size	30x10-18 FA
Tyre Type	Solid Flex Cushion/Non-marking
Inside Turn Radius	1.52m
Outside Turn Radius	3.96m
Gradeability	45%
Drive Speed Lowered	4.98km/h

### Weights and Capabilities:

Fuel Tank Capacity	45 Ltr
Hydraulic Tank Capacity	75 Ltr
GVW	4,400kg



## STANDARD FEATURES

- Smooth control, proportional hydraulic 4 wheel drive
- Proportional lift and swing controls at the platform
- Oscillating front steer axle assists 4 wheel drive traction
- Tight steering turning circle
- Jib boom and basket rotate
- Cylinder boots protect cylinder rods from overspray and contaminants
- Non-marking solid cushion flex-type tyres

- Multi axis 3 degree tilt alarm/indicator light
- Plug-in JLG analyser at platform and base to indicate system functions for servicing and adjustment
- Tier 4 Kubota D1105, 17.8kW 3 cylinder diesel engine with exhaust purifier