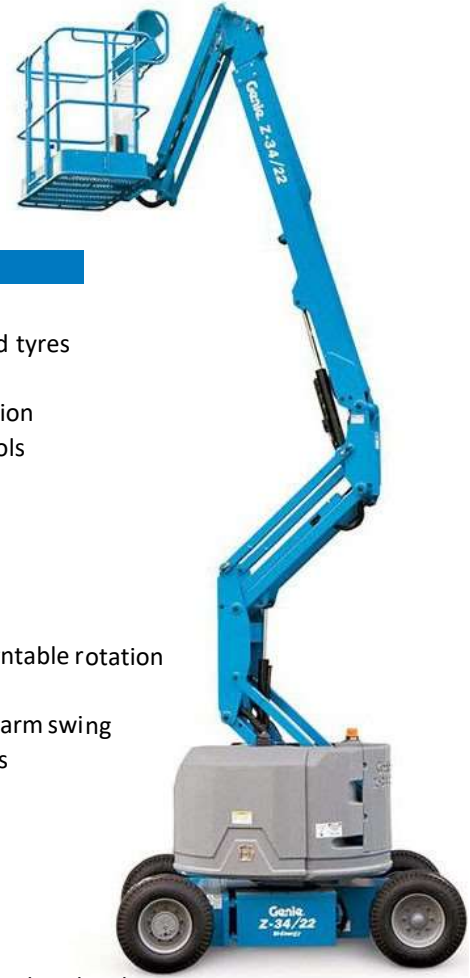
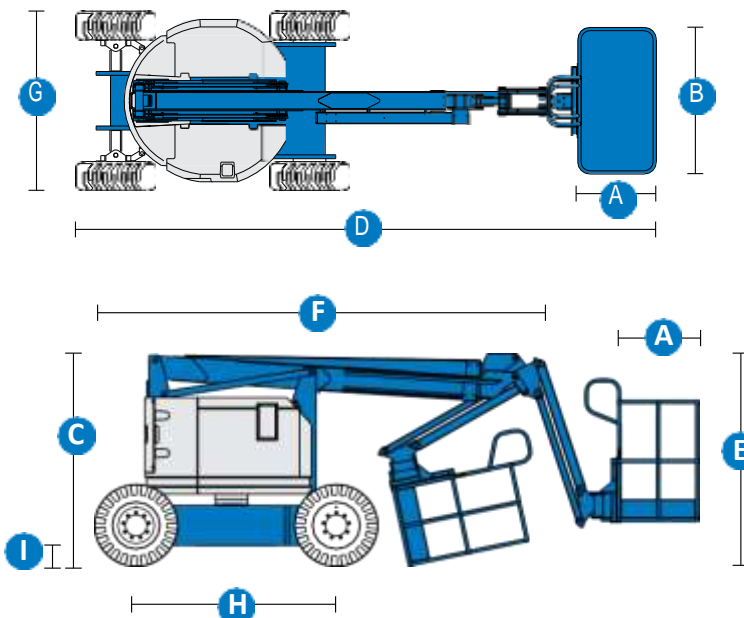


## Specifications

MODEL		Z™-34/22 IC	
MEASUREMENTS		Metric	US
Working height maximum		12.62 m	40 ft 10 in
Platform height maximum		10.62 m	34 ft 10 in
Horizontal reach maximum		6.78 m	22 ft 3 in
Up and over clearance maximum		4.57 m	15 ft
<b>A</b> Platform length		0.76 m	2 ft 6 in
<b>B</b> Platform width		1.42 m	4 ft 8 in
<b>C</b> Height - stowed		2.06 m	6 ft 9 in
<b>D</b> Length - stowed		5.66 m	18 ft 7 in
<b>E</b> Storage		2.29 m	7 ft 6 in
<b>F</b> Storage length		4.11 m	13 ft 6 in
<b>G</b> Width		1.85 m	6 ft 1 in
<b>H</b> Wheelbase		1.88 m	6 ft 2 in
<b>I</b> Ground clearance - centre		0.17 m	6.5 in
PRODUCTIVITY			
Lift capacity		227 kg	500 lbs
Platform rotation		180°	180°
Vertical jib rotation		139°	139°
Turntable rotation		355° non-continuous	
Turntable tailswing		zero	zero
Drive speed - stowed		4.8 km/h	3.0 mph
Drive speed - raised		1.1 km/h	0.68 mph
Gradeability - stowed		45%	45%
Turning radius - inside		1.80 m	5 ft 11 in
Turning radius - outside		4.11 m	13 ft 6 in
Controls		12 V DC proportional	
Tyres - foam filled		10 x 16.5 in NHS	
POWER			
Power		Kubota D-1105 3-cylinder diesel 19.4 kW (26 hp)	
Auxiliary		12 V DC	12 V DC
Hydraulic		71.9 L	19 gal
Fuel		34.1 L	9.0 gal
WEIGHT			
		4,854 kg	10,701 lbs

## STANDARDS COMPLIANCE

ANSI A92.5, CSA B354.4, CE Compliance, AS 1418.10



## STANDARD FEATURES

- 4WD
- Rough terrain foam-filled tyres
- Self-leveling platform
- Hydraulic platform rotation
- Fully proportional controls
- Drive enable
- Horn
- Hour meter
- Tilt alarm
- Descent alarm
- 355° non-continuous turntable rotation
- Locking turntable covers
- Zero tailswing and front arm swing
- Two speed wheel motors
- Engine gauge package
- Alarm package
- Dual flashing beacons

## POWER

- 12 V DC auxiliary power
- Kubota D-1105 3-cylinder diesel 18 kW (25 hp)

## RANGE OF MOTION Z™-34/22

